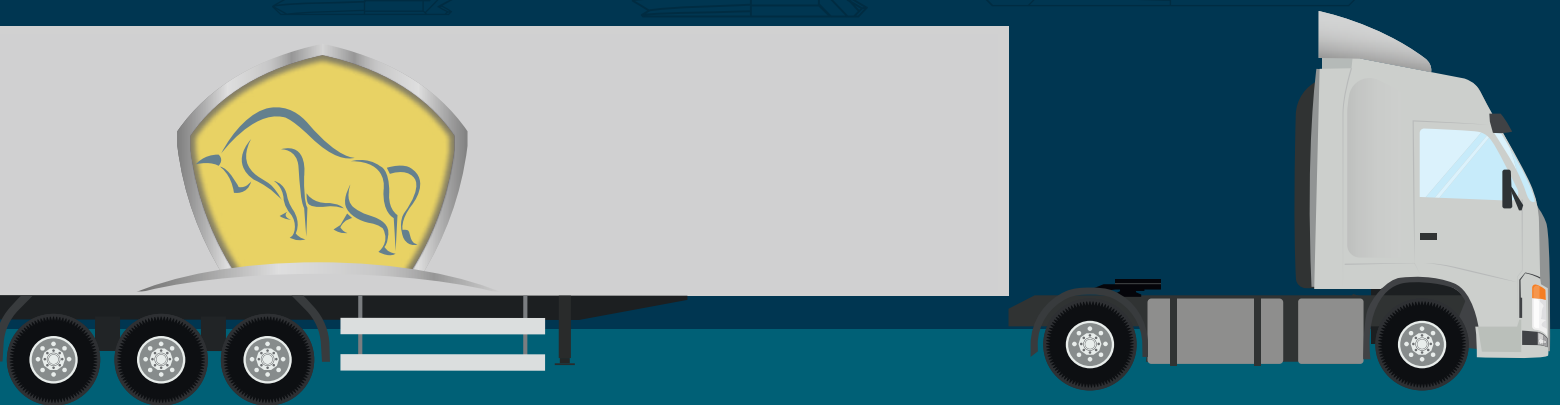


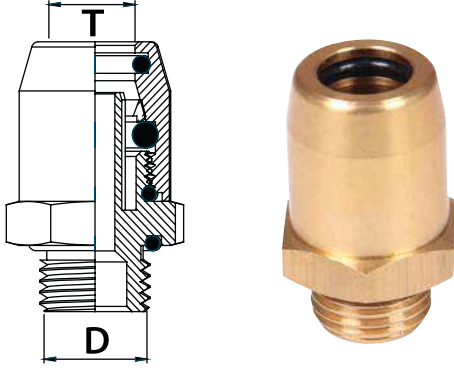


FITTING

FOR ALL AIR CONNECTION TYPES
**HIGH QUALITY
FITTINGS**



Push-in Coupling



6 mm

Product No	Connection (D)	Hose Size (T)
FTG 1806	1/8	6x1.0
FTG 1006	M10x1	6x1.0
FTG 1206	M12x1.5	6x1.0
FTG 1406	1/4	6x1.0
FTG 11406	M14x1.5	6x1.0
FTG 1606	M16x1.5	6x1.0
FTG 2206	M22x1.5	6x1.0

8 mm

Product No	Connection (D)	Hose Size (T)
FTG 1008	M10x1	8x1.0
FTG 1208	M12x1.5	8x1.0
FTG 1408	1/4	8x1.0
FTG 3808	3/8	8x1.0
FTG 11408	M14x1.5	8x1.0
FTG 1608	M16x1.5	8x1.0
FTG 2208	M22x1.5	8x1.0

10 mm

Product No	Connection (D)	Hose Size (T)
FTG 1010	M10x1	10x1.0
FTG 1210	M12x1.5	10x1.0
FTG 1410	1/4	10x1.0
FTG 11410	M14x1.5	10x1.0
FTG 1610	M16x1.5	10x1.0
FTG 2210	M22x1.5	10x1.0

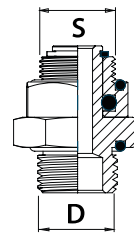
Push-in Coupling

12 mm

Product No	Connection (D)	Hose Size (T)
FTG 1212	M12x1.5	12x1.5
FTG 1412	1/4	12x1.5
FTG 11412	M14x1.5	12x1.5
FTG 1612	M16x1.5	12x1.5
FTG 2212	M22x1.5	12x1.5

15 mm

Product No	Connection (D)	Hose Size (T)
FTG 1615	M16x1.5	15x1.5
FTG 2215	M22x1.5	15x1.5
FTG 2615	M26x1.5	15x1.5

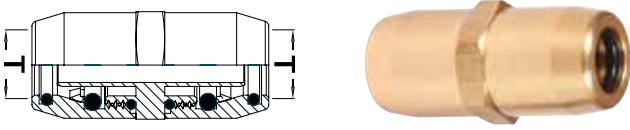


Plug-in (P5)



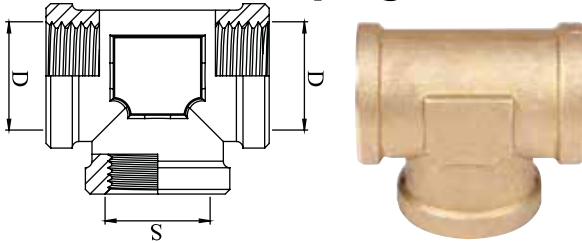
Product No	Connection (D)	S
FTG 5585	1/8	P5
FTG 5586	M10x1	P5
FTG 5501	M12x1.5	P5
FTG 5502	1/4	P5
FTG 5549	M14x1.5	P5
FTG 5503	M16x1.5	P5
FTG 5504	M22x1.5	P5

Tube Connector



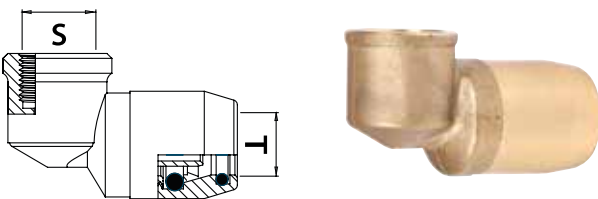
Product No	Hose Size (T)
FTG 3699	6x4
FTG 3635	8x6
FTG 3625	10x8
FTG 3626	12x9
FTG 3627	15x9
FTG 3700	16x12

Union "T" for plug-in P5



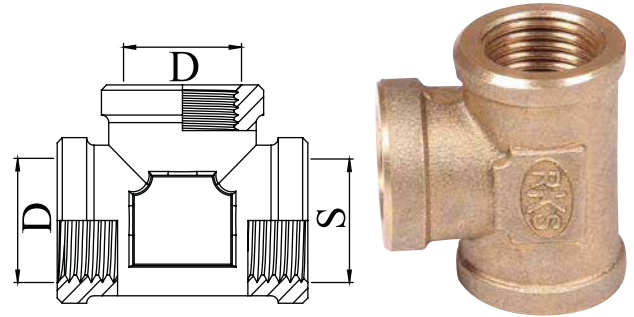
Product No	Connection (D)	S (P5)
FTG 4532	M12x1.5	P5
FTG 3516	M16x1.5	P5

Push-in Coupling for plug-in P5



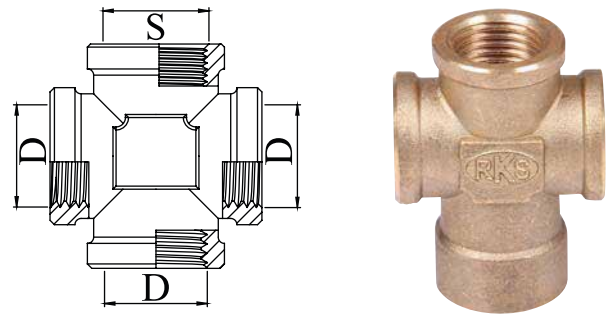
Product No	Hose Size (T)	S (P5)
FTG 3646	6x1.0	P5
FTG 3575	8x1.0	P5
FTG 3647	10x1.0	P5
FTG 3576	12x1.5	P5
FTG 3615	15x1.5	P5
FTG 3648	16x2	P5

Union "L" for plug-in P5



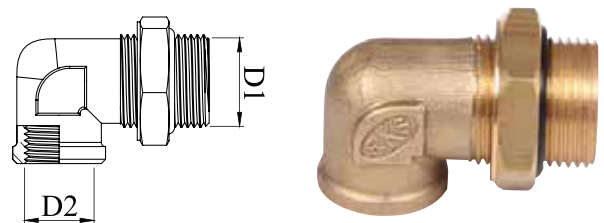
Product No	Connection (D)	S (P5)
FTG 4533	M12x1.5	P5
FTG 3521	M16x1.5	P5

4 way cross block for plug-in P5



Product No	Connection (D)	S (P5)
FTG 3547	M12x1.5	P5
FTG 3535	M16x1.5	P5

90° Elbow for Bulkhead

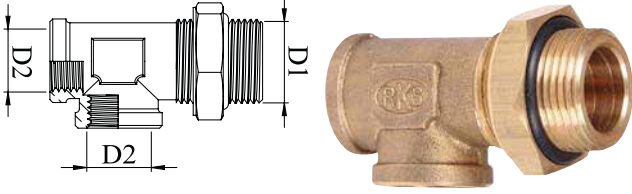


Product No	Connection (D1)	Connection (D2)
FTG 3501	M12x1.5	M12x1.5
FTG 3503	M16x1.5	M12x1.5
FTG 3504	M16x1.5	M16x1.5
FTG 3505	M22x1.5	M16x1.5



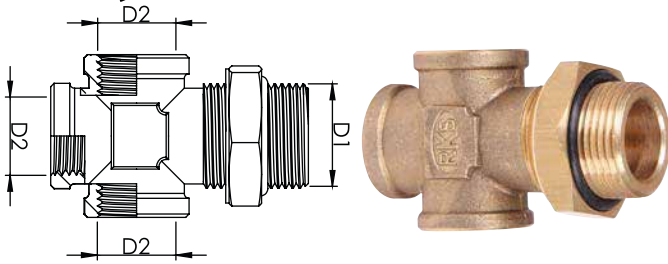
MANS
AUTOMOTIVE

L-Coupling for Bulkhead



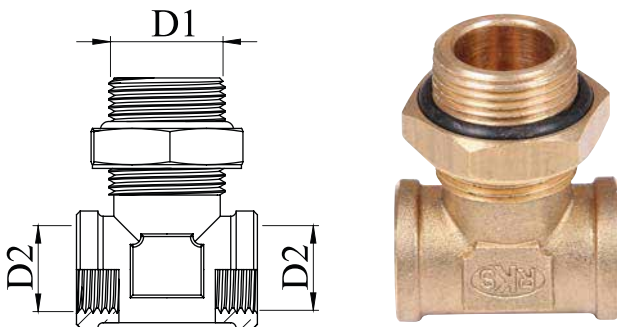
Product No	Connection (D1)	Connection (D2)
FTG 3518	M16x1.5	M16x1.5
FTG 3519	M22x1.5	M16x1.5

4 way cross block for Bulkhead



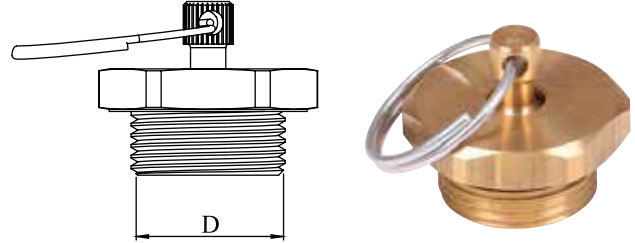
Product No	Connection (D1)	Connection (D2)
FTG 3523	M16x1.5	M16x1.5
FTG 3524	M22x1.5	M16x1.5

T-Coupling for Bulkhead



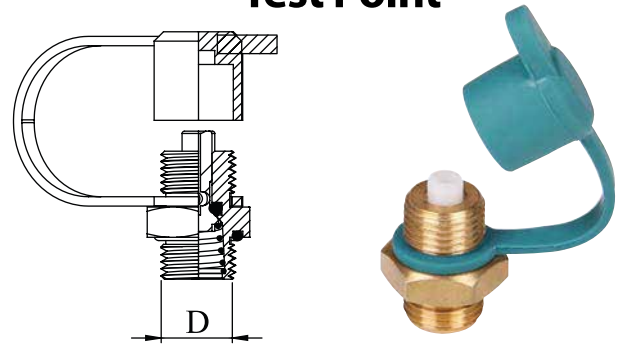
Product No	Connection (D1)	Connection (D2)
FTG 3511	M12x1.5	M12x1.5
FTG 4534	M16x1.5	M12x1.5
FTG 3512	M16x1.5	M16x1.5
FTG 3513	M22x1.5	M16x1.5

Relief Valve



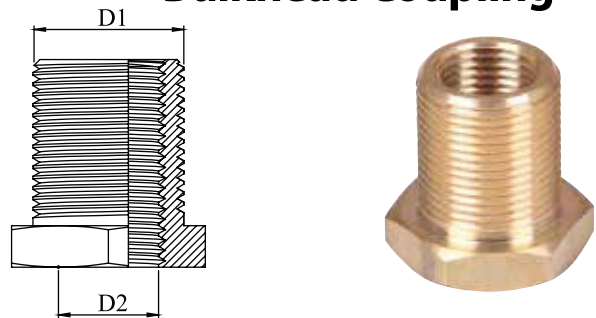
Product No	Connection (D)
FTG 3535	M22x1.5

Test Point



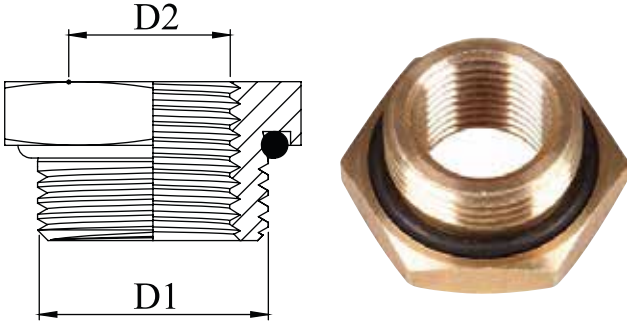
Product No	Connection (D)
FTG 3533	M16x1.5
FTG 3534	M22x1.5

Bulkhead Coupling



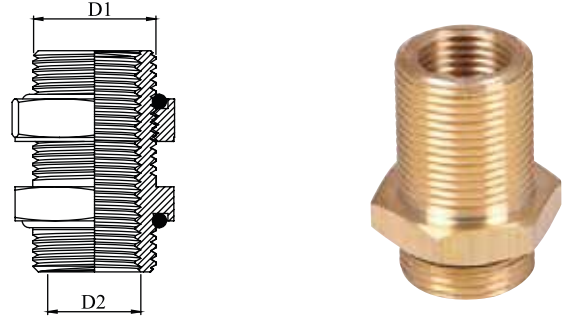
Product No	Connection (D1)	Connection (D2)
FTG 3676	M18x1.5	M12x1.5
FTG 3677	M22x1.5	M16x1.5

Transfer Adapter



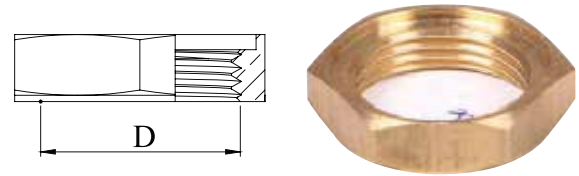
Product No	Connection (D)	Hose Size (T)
FTG 3670	M16x1.5	1/4
FTG 3671	M16x1.5	M16x1.5
FTG 3672	M22x1.5	1/4
FTG 3673	M22x1.5	M16x1.5
FTG 3674	1/2	1/4
FTG 3675	M26x1.5	M22x1.5

Bulkhead Coupling



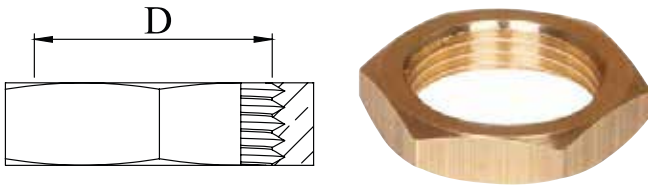
Product No	Connection (D1)	Connection (D2)
FTG 3573	M22x1.5	M16x1.5

Locking Nut with O-Ring



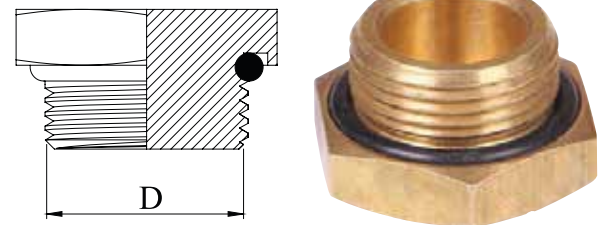
Product No	Connection (D)
FTG 3660	M12x1.5
FTG 3661	M16x1.5
FTG 3662	M22x1.5

Locking Nut



Product No	Connection (D)
FTG 9701	M12X1.5
FTG 3658	M14X1.5
FTG 9702	M16X1.5
FTG 3659	M18X1.5
FTG 3663	1/2
FTG 3532	M22X1.5
FTG 3585	M24X1.5
FTG 3664	M26X1.5

Plug



Product No	Connection (D)
FTG 3666	1/4
FTG 3667	M12x1.5
FTG 3668	M16x1.5
FTG 3669	M22x1.5

Male Straight (mm - inch)



Product No	Size (mm-inch)
MNS-PC04G18	4 mm - 1/8
MNS-PC04G14	4 mm - 1/4
MNS-PC06G18	6 mm - 1/8
MNS-PC06G14	6 mm - 1/4
MNS-PC06G38	6 mm - 3/8
MNS-PC06G12	6 mm - 1/2
MNS-PC08G18	8 mm - 1/8
MNS-PC08G14	8 mm - 1/4
MNS-PC08G38	8 mm - 3/8
MNS-PC08G12	8 mm - 1/2
MNS-PC10G18	10 mm - 1/8
MNS-PC10G14	10 mm - 1/4
MNS-PC10G38	10 mm - 3/8
MNS-PC10G12	10 mm - 1/2
MNS-PC12G18	12 mm - 1/8
MNS-PC12G14	12 mm - 1/4
MNS-PC12G38	12 mm - 3/8
MNS-PC12G12	12 mm - 1/2

Male Straight (mm)



Product No	Size (mm)
MNS-PC06M06	6 mm - M6
MNS-PC06M08	6 mm - M8
MNS-PC06M10	6 mm - M10
MNS-PC06M12	6 mm - M12
MNS-PC06M14	6 mm - M14
MNS-PC06M16	6 mm - M16
MNS-PC06M22	6 mm - M22
MNS-PC08M08	8 mm - M8
MNS-PC08M10	8 mm - M10
MNS-PC08M12	8 mm - M12
MNS-PC08M14	8 mm - M14
MNS-PC08M16	8 mm - M16
MNS-PC08M22	8 mm - M22
MNS-PC10M12	10 mm - M12
MNS-PC10M14	10 mm - M14
MNS-PC10M16	10 mm - M16
MNS-PC10M22	10 mm - M22
MNS-PC12M12	12 mm - M12
MNS-PC12M14	12 mm - M14
MNS-PC12M16	12 mm - M16
MNS-PC12M22	12 mm - M22

Male Run TEE (mm)



Product No	Size (mm)
MNS-PST08M12	8 mm - M12
MNS-PST08M16	8 mm - M16

Male Branch TEE (mm)



Product No	Size (mm)
MNS-PT08M12	8 mm - M12
MNS-PT08M16	8 mm - M16

Male Elbow (mm - inch)



Product No	Size (mm-inch)
MNS-PL04G18	4 mm - 1/8
MNS-PL06G18	6 mm - 1/8
MNS-PL04G14	6 mm - 1/4
MNS-PL04G12	6 mm - 1/2
MNS-PL08G18	8 mm - 1/8
MNS-PL08G14	8 mm - 1/4
MNS-PL08G38	8 mm - 3/8
MNS-PL08G12	8 mm - 1/2
MNS-PL10G14	10 mm - 1/4
MNS-PL10G38	10 mm - 3/8
MNS-PL10G12	10 mm - 1/2
MNS-PL12G14	12 mm - 1/4
MNS-PL12G38	12 mm - 3/8
MNS-PL12G12	12 mm - 1/2

Reducer Fitting



Product No	Hose Size (mm)
MNS-PG0604	6-4
MNS-PG0806	8-6
MNS-PG1008	10-08
MNS-PG1208	12-08
MNS-PG1210	12-10

Male Elbow (mm)



Product No	Size (mm)
MNS-PL04M05	4 mm - M5
MNS-PL04M06	4 mm - M6
MNS-PL06M10	6 mm - M10
MNS-PL06M12	6 mm - M12
MNS-PL06M14	6 mm - M14
MNS-PL06M16	6 mm - M16
MNS-PL06M22	6 mm - M22
MNS-PL08M12	8 mm - M12
MNS-PL08M14	8 mm - M14
MNS-PL08M16	8 mm - M16
MNS-PL08M22	8 mm - M22
MNS-PL10M12	10 mm - M12
MNS-PL10M14	10 mm - M14
MNS-PL10M16	10 mm - M16
MNS-PL10M22	10 mm - M22
MNS-PL12M12	12 mm - M12
MNS-PL12M14	12 mm - M14
MNS-PL12M16	12 mm - M16
MNS-PL12M22	12 mm - M22

Male Run TEE (mm - inch)



Product No	Size (mm-inch)
MNS-PST06G18	6 mm - 1/8
MNS-PST06G14	6 mm - 1/4
MNS-PST08G18	8 mm - 1/8
MNS-PST08G14	8 mm - 1/4
MNS-PST10G18	10 mm - 1/8
MNS-PST10G14	10 mm - 1/4
MNS-PST12G18	12 mm - 1/8
MNS-PST12G14	12 mm - 1/4

Male Branch TEE (mm - inch)



Product No	Size (mm-inch)
MNS-PT06G18	6 mm - 1/8
MNS-PT06G14	6 mm - 1/4
MNS-PT08G18	8 mm - 1/8
MNS-PT08G14	8 mm - 1/4
MNS-PT10G18	10 mm - 1/8
MNS-PT10G14	10 mm - 1/4
MNS-PT12G18	12 mm - 1/8
MNS-PT12G14	12 mm - 1/4

TEE (mm)



Product No	Size (mm)
MNS-PUT04	4 mm
MNS-PUT05	5 mm
MNS-PUT06	6 mm
MNS-PUT08	8 mm
MNS-PUT09	9 mm
MNS-PUT10	10 mm
MNS-PUT12	12 mm
MNS-PUT14	14 mm
MNS-PUT16	16 mm

Reducer TEE (mm)



Product No	Size (mm)
MNS-PUTG0604	6 - 4 - 6
MNS-PUTG0608	6 - 8 - 6
MNS-PUTG0806	8 - 6 - 8
MNS-PUTG1008	10 - 8 - 10
MNS-PUTG1208	12 - 8 - 12
MNS-PUTG1210	12 - 10 - 12
MNS-PUTG1412	14 - 12 - 14
MNS-PUTG1614	16 - 14 - 16

Straight Union



Product No	Size (mm)
MNS-PUC04	4 mm
MNS-PUC05	5 mm
MNS-PUC06	6 mm
MNS-PUC07	7 mm
MNS-PUC08	8 mm
MNS-PUC09	9 mm
MNS-PUC3/8	9,52 mm
MNS-PUC10	10 mm
MNS-PUC11	11 mm
MNS-PUC12	12 mm
MNS-PUC14	14 mm
MNS-PUC15	15 mm
MNS-PUC16	16 mm

Cross Fitting



Product No	Size (mm)
MNS-PZA04	4 mm
MNS-PZA06	6 mm
MNS-PZA08	8 mm
MNS-PZA10	10 mm
MNS-PZA12	12 mm

Elbow Fitting



Product No	Size (mm)
MNS-PUL04	4 mm
MNS-PUL06	6 mm
MNS-PUL08	8 mm
MNS-PUL10	10 mm
MNS-PUL12	12 mm
MNS-PUL14	14 mm
MNS-PUL16	16 mm

Y Fitting



Product No	Size (mm)
MNS-PY04	4 mm
MNS-PY06	6 mm
MNS-PY08	8 mm
MNS-PY10	10 mm
MNS-PY12	12 mm
MNS-PY14	14 mm
MNS-PY15	15 mm
MNS-PY16	16 mm